

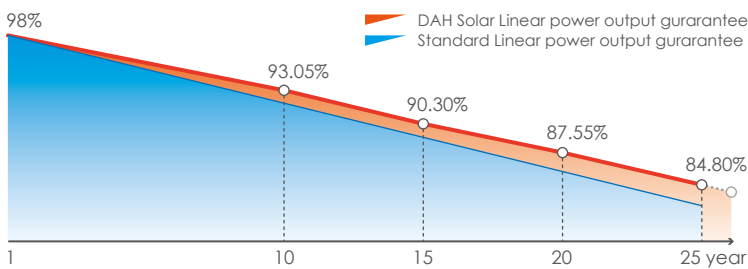
182mm  
10BB  
Half-Cell

FSM-60X10

**430-460W** <sup>0~+5W</sup>

Full Screen High Efficiency  
PV Module

## QUALITY GUARANTEE



12-year → Material & technology warranty  
25-year → Linear power output warranty

## COMPREHENSIVE PRODUCTS & SYSTEM CERTIFICATES



IEC 61215 / IEC 61730 / CE / JPEA / FIDE / INMETRO  
OHSAS 18001:  
2007/International standards for occupational health & safety  
ISO 14001:  
2015/Standards for environmental management system  
ISO 9001:  
2015/Quality management system



**Strong Self-cleaning Ability and increase power generation by 6.15%\***  
Panel is capable to decrease power generation loss caused by Dust, reduce the hot spot risk.



**Curved Surface 128° R Angle**  
**Reduce holding pressure by 75%+**  
Curved Frame with ergonomic Design, optimized Delivery and Installation Experience.



**Revolutionary Packaging Technology**  
Using excellent frame packaging technology, Strong Adhesion, Durable in Use



**Excellent mechanical load capacity**  
Certified by Dust-Sand, Salt-Mist, Ammonia etc. weather resistance tests and enhanced mechanical load: wind load (2400 Pascal) and snow load (5400 Pascal)

FSM-60X10

# 430-460W

Half-Cell High Efficiency PV Module

Weight

**24kg**

Cells Type

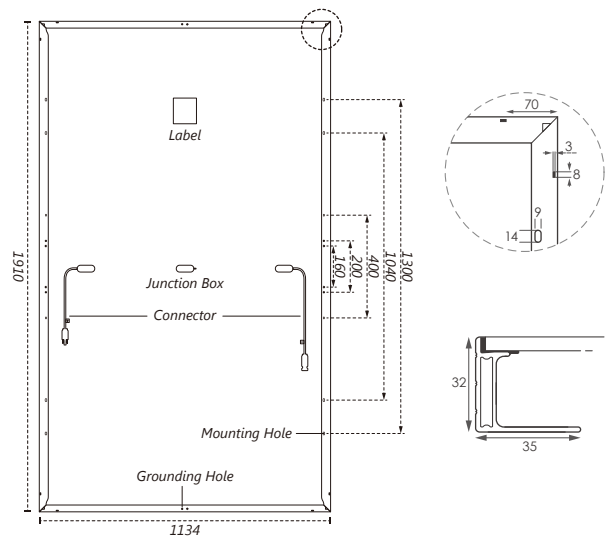
**Mono 182×91mm**

Dimension (L×W×T)

**1910×1134×32mm**

Packing

**31pcs/pallet, 744pcs/40HQ**



## MECHANICAL SPECIFICATION

Cable	4.0mm <sup>2</sup> , 300/400mm in length, (Including connector) length can be customized
No. of Cells	120 (6×20)
Glass	3.2mm High Transmission, Antireflection Coating
Junction box	IP68, 3 Bypass Diodes
Connector	MC4 Compatible

## OPERATING PARAMETERS

Maximum system voltage	1500V DC
Operating Temperature	-40 ~ +85°C
Maximum series fuse rating	25A
Snow load, frontside/Wind load, backside	5400Pa/2400Pa
Nominal operating cell temperature	45°C±2°C
Application level	Class A

## STC — Electrical Characteristics

Module Type	FSM-60X10							
Maximum Power (Pmax)	430W	435W	440W	445W	450W	455W	460W	
Open-circuit Voltage (Voc)	40.8V	41.0V	41.2V	41.4V	41.6V	41.8V	42.0V	
Maximum Power Voltage (Vmp)	34.4V	34.6V	34.8V	35.0V	35.2V	35.4V	35.6V	
Short-circuit Current (Isc)	13.42A	13.48A	13.54A	13.60A	13.66A	13.72A	13.78A	
Maximum Power Current (Imp)	12.50A	12.57A	12.64A	12.71A	12.78A	12.85A	12.92A	
Module Efficiency (%)	19.85%	20.08%	20.31%	20.55%	20.78%	21.01%	21.24%	

Temperature Coefficient of Isc: 0.05%/°C / Temperature Coefficient of Voc: -0.31%/°C / Temperature Coefficient of Pmax: -0.35%/°C

Standard Test Environment: Irradiance 1000W/m<sup>2</sup>, Cell temperature 25°C, Spectrum AM1.5

## NOCT — Electrical Characteristics

Maximum Power (Pmax)	320W	324W	327W	331W	335W	339W	342W
Open-circuit Voltage (Voc)	38.3V	38.5V	38.6V	38.8V	39.0V	39.2V	39.4V
Maximum Power Voltage (Vmp)	32.6V	32.7V	32.9V	33.1V	33.3V	33.5V	33.7V
Short-circuit Current (Isc)	10.83A	10.88A	10.93A	10.97A	11.02A	11.07A	11.12A
Maximum Power Current (Imp)	9.83A	9.88A	9.94A	10.00A	10.05A	10.10A	10.16A

Standard Test Environment: Irradiance 800W/m<sup>2</sup>, Ambient temperature 20°C, Spectrum AM1.5, Wind speed 1m/s

## I-V Curve (FSM-60X10-440W)

